

PIR MOTION SENSOR - 120° WALL MOUNT SENTRY IP66 2-WIRE

FMS-15000-GY/2W



The FMS-15000-GY/2W MATElec Australia Sentry Motion Sensor is an extremely reliable, IP66 rated PIR motion sensor, suitable for a great range of applications. This sensor has the benefit of being wired with or without a direct neutral connection.

SPECIFICATIONS

Mounting:

- Wall

Weatherproof rating:

- IP66,

Detection angle:

- 120°

Detection range:

- Up to 18 metres

Switching capacity:

- 1000W resistive (Incandescent)
- 500W inductive (Fluorescent or LED)

Min LED load:

- 1W

Manual Override:

- No

Adjustments:

- Time, lux & sensitivity

Time delay:

- 10 sec - 30 mins

Lux adjustment:

- Dawn to dusk (3-2000lux)

Voltage:

- 220 - 240 Vac 50Hz

Connection:

- 2 wire connection

Colour:

- Grey

Sensing adjustment:

- Vertical and horizontal

Certification:

- CE, RoHS, SAA, RCM



HARDWARE FEATURES

The Sentry FMS-15000-GY/2W operates in Automatic Mode only.

Auto Mode

In Automatic Mode, the lighting load will turn ON when movement is detected in the sensing range, and the ambient light level is below the Lux setting. If no movement is detected, and the delay time has expired, the load will turn OFF automatically.

LOCATION

The FMS-15000-GY/2W Sentry needs to be carefully positioned to achieve optimum performance. The optimum installation height is 2.5m.

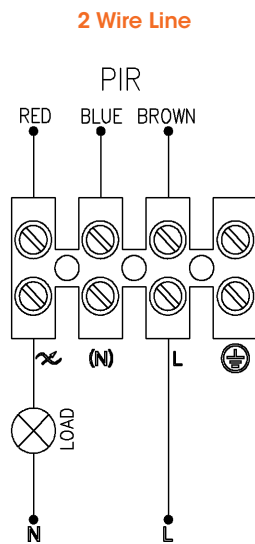
To avoid nuisance/false switching, the sensor should not be installed near the following:

- Heat sources, such as heater vents,
- Air conditioners,
- Other lights,
- Reflective sources, such as glass & mirrors
- Objects that are moved by the wind, such as trees and tall plants.

MOUNTING PROCEDURE

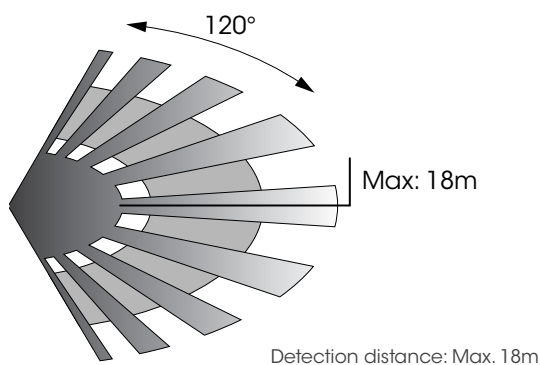
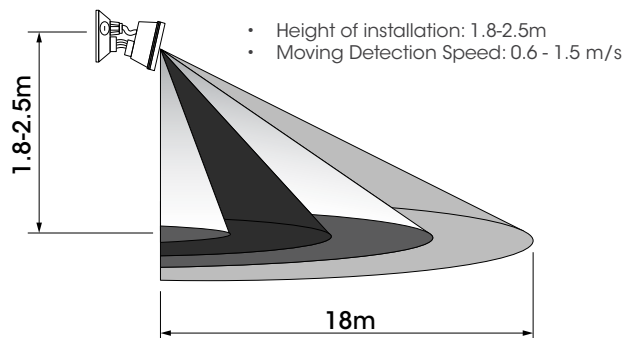
Warning: all electrical installations must be carried out by a suitably Qualified electrician in accordance with Australian and local regulations

After identifying a suitable location, wire up the sensor as per the diagram below:



Using the supplied weatherproof seal, mount the sensor using the fixings provided.

SENSING INFORMATION



SET UP AND TEXT

The sensor has 3 adjustment dials. With the sensor OFF, set the adjustment dials as follows:

- Turn the TIME dial to minimum (10 s)
- Turn the SENS dial to maximum (+)
- Turn the LUX dial to maximum (sun)

Switch the power ON. The sensor will take approximately 30 seconds to calibrate. After this time, the sensor load will switch on as soon as movement is detected. If no further movement is detected, the sensor will switch off the load in approximately 10 seconds.

When testing the sensor, please move HORIZONTALLY ACROSS the beam, not DIRECTLY TOWARD the beam.

Once the sensor has been tested, please adjust the settings to the desired ranges.

TROUBLESHOOTING

Fault	Possible Issue	Possible Solution
Load does not activate	Power not turned on	Switch on the power
	Sensor is wired incorrectly	Check wiring is according to diagram
	Connected load is faulty	Check load is operational
Load does not turn off	Time settings too long	Adjust to shorter time and retest
	Incorrectly wired	Refer to wiring diagram section
False triggering	Heat sources, Reflective Sources, or wind	Remove trigger sources, or change sensor location
Load turns ON in daylight	Lux settings incorrect	Adjust accordingly

WARRANTY

The motion sensor is warranted for a period of 5 years, to be free of defects in materials or workmanship, under normal use. In the event of a warranty issue, please contact MATElec Australia via email, at customer@matelecaustralia.com.au

DISTRIBUTOR



Address: 5 Telford Drive, Shepparton VIC 3630

Postal Address: PO Box 7093, Shepparton VIC 3632

Phone: 1800 281 282

Fax: 1300 281 282

Email: customer@matelecaustralia.com.au